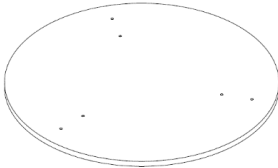
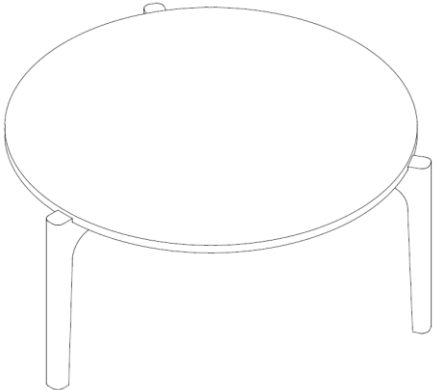
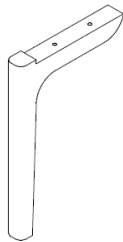


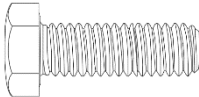
# MICHIGAN



x 1



x 3



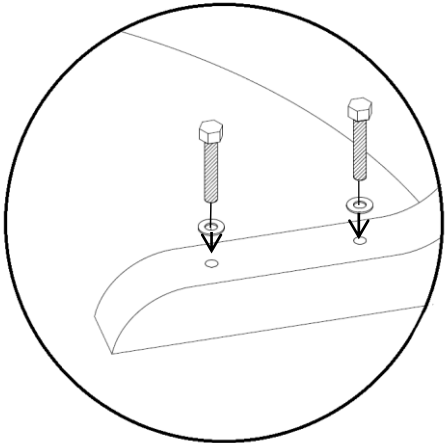
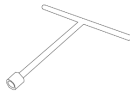
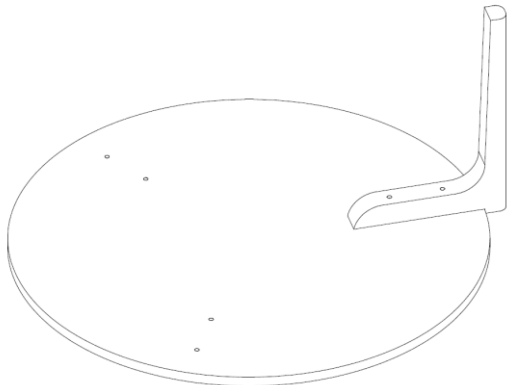
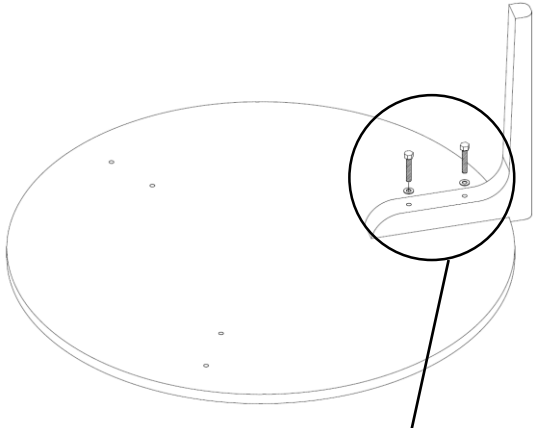
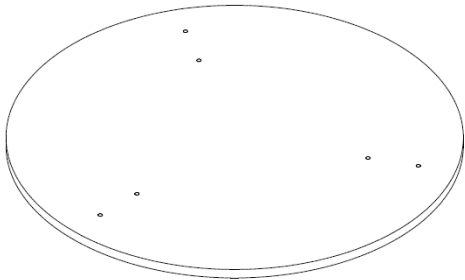
x 6



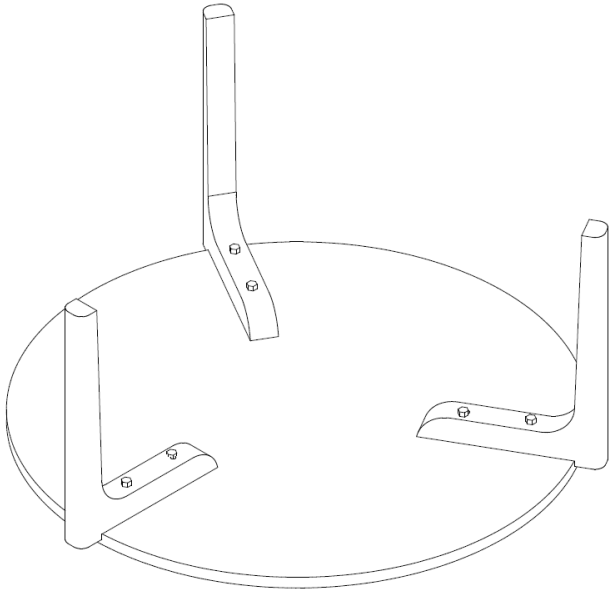
x 6

**1**

**2**



3



4

